

SCHEDULE OF PILE CAP

SL. NO.	PILE CAP	SIZE	ALONG LONGER SIDE	ALONG SHORTER SIDE	MARK.	NO.
1	1P	1200	2200 X 2200	16@190CC	20@190CC	1-128
2	2P	1200	2200 X 2400	16@190CC	20@190CC	2@190CC
3	3P	1200	2200 X 3000	20@190CC	20@190CC	20@190CC

SCHEDULE OF THE BEAM

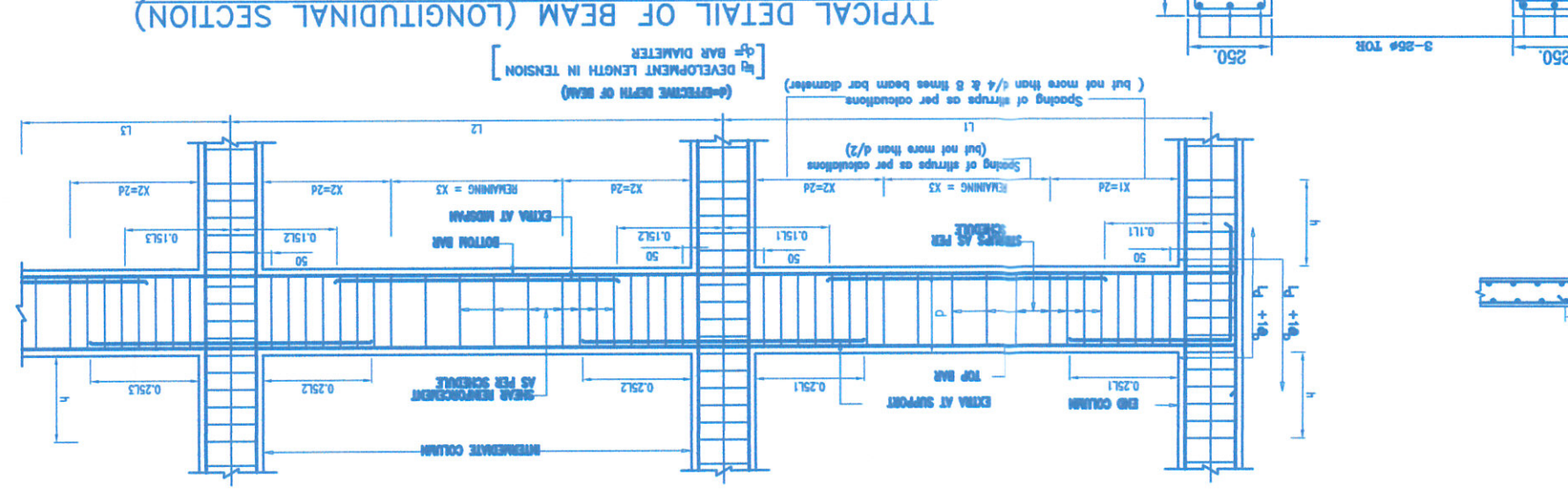
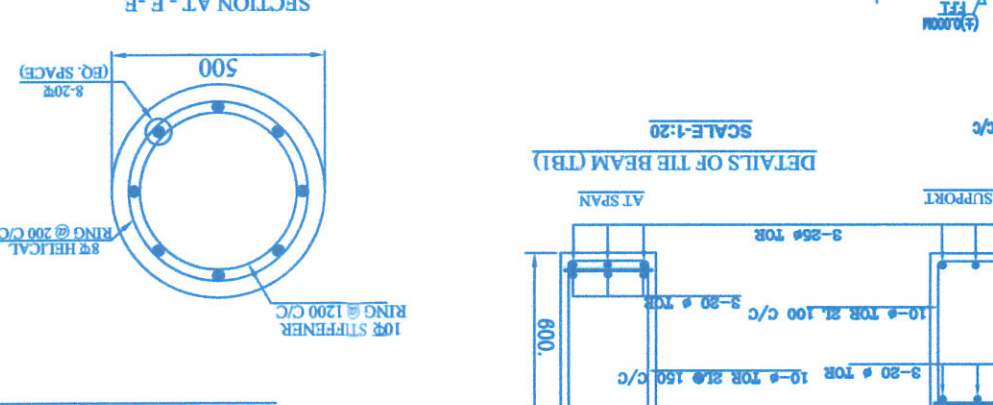
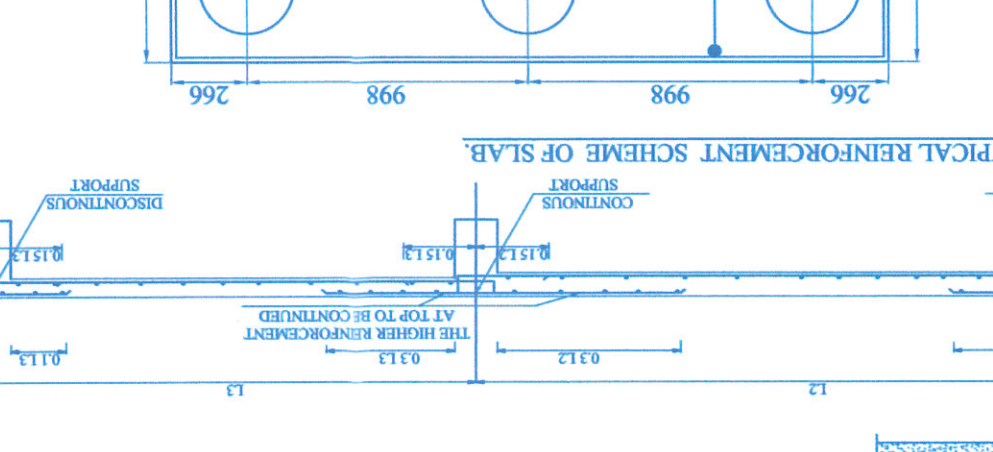
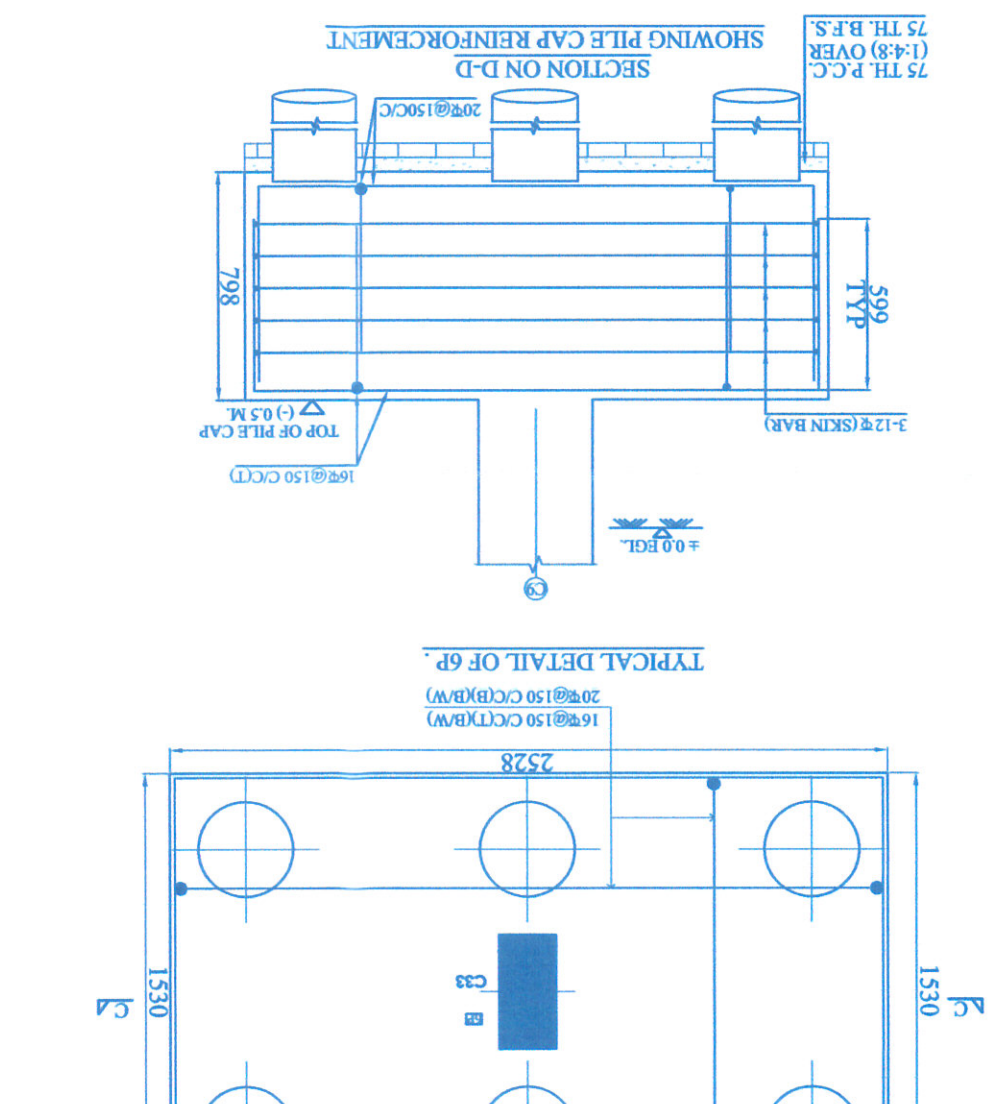
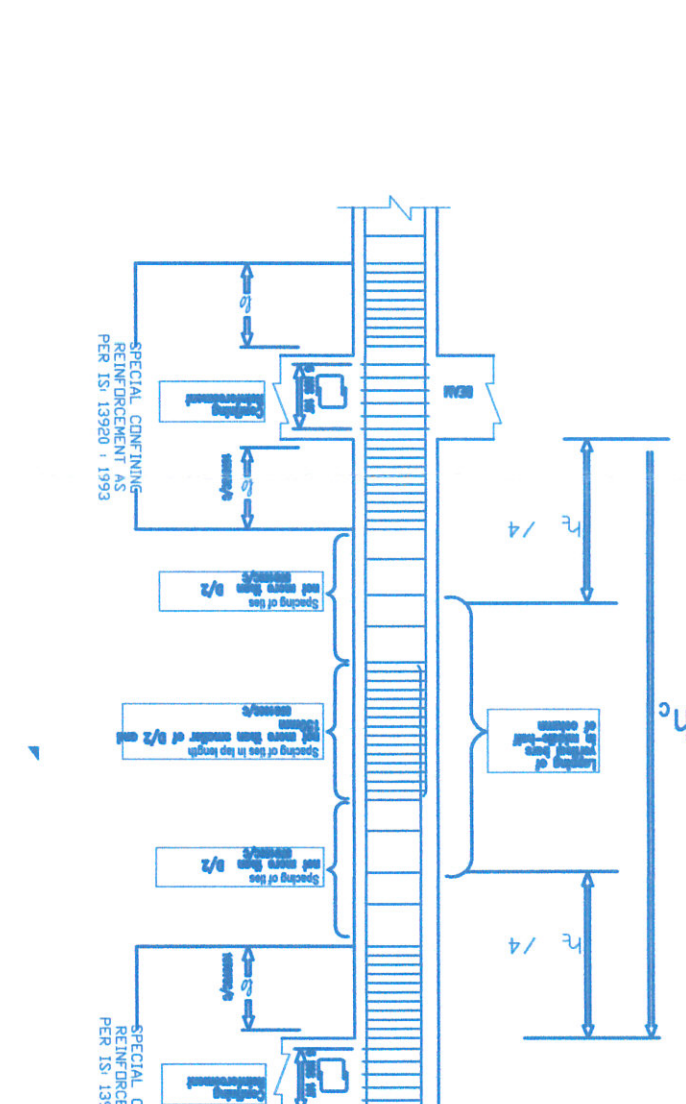
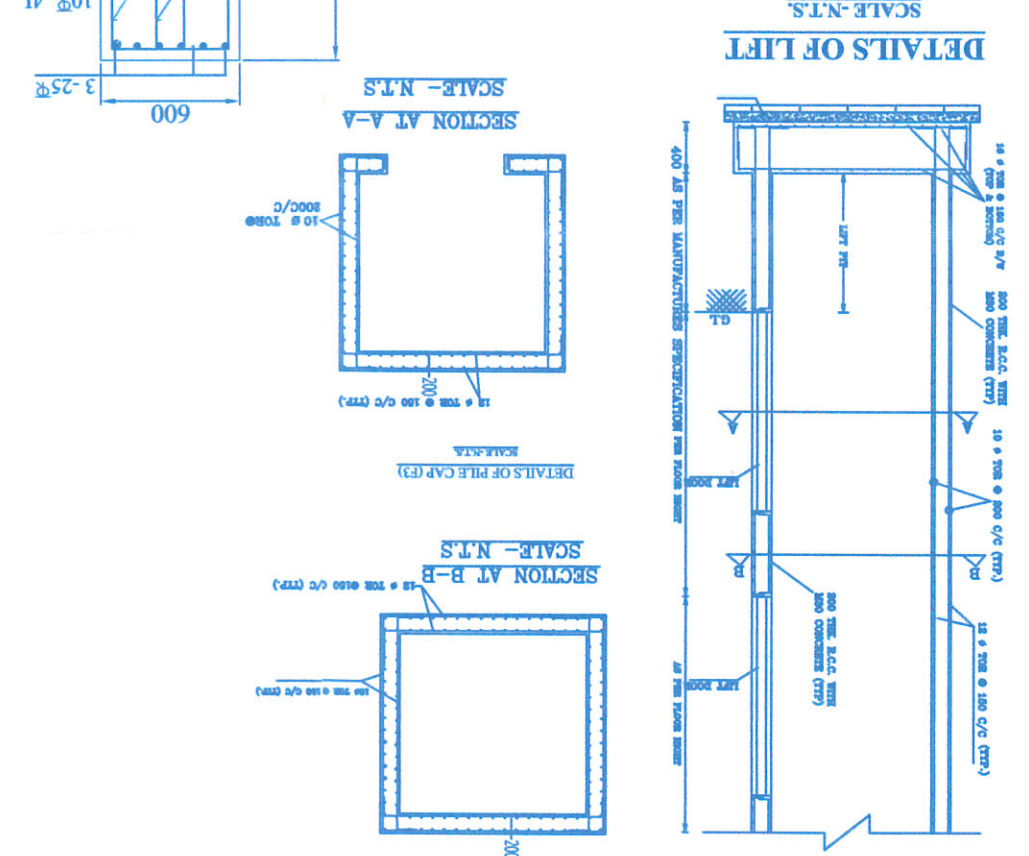
BEAM	MARK.	SIZE	CONT. SUPPORT	SPAN	DISCONT. SUPP.	STRUTS
TR1	250X600	1-254	3-254	3-254	3-254	10@12.1@190CC
TR2	250X600	1-254	3-254	3-254	3-254	10@12.1@190CC

SCHEDULE OF BEAM

BEAM	MARK.	SIZE	CONT. SUPPORT	SPAN	DISCONT. SUPP.	STRUTS
BR1	250X600	1-254	3-254	3-254	3-254	10@12.1@190CC
BR2	250X500	1-208	3-208	3-208	3-208	8@12.1@190CC

SCHEDULE OF R.C.C COLUMN

COLUMN MARKED	MARK.	SIZE	NO. FLOOR COVER + 40MM	STRUTS
C1	300	300	10@10/150	10@10/150
C2	300	300	10@10/150	10@10/150
C3	300	300	10@10/150	10@10/150

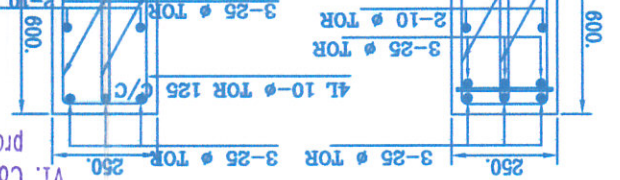
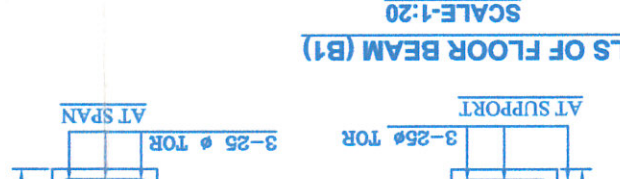
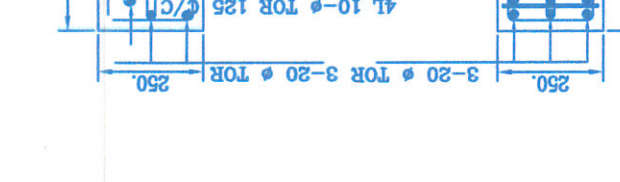
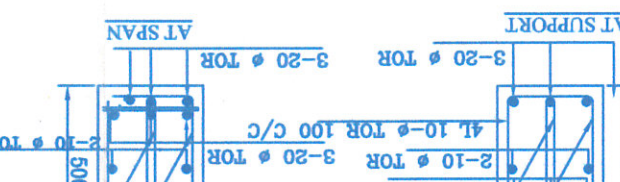
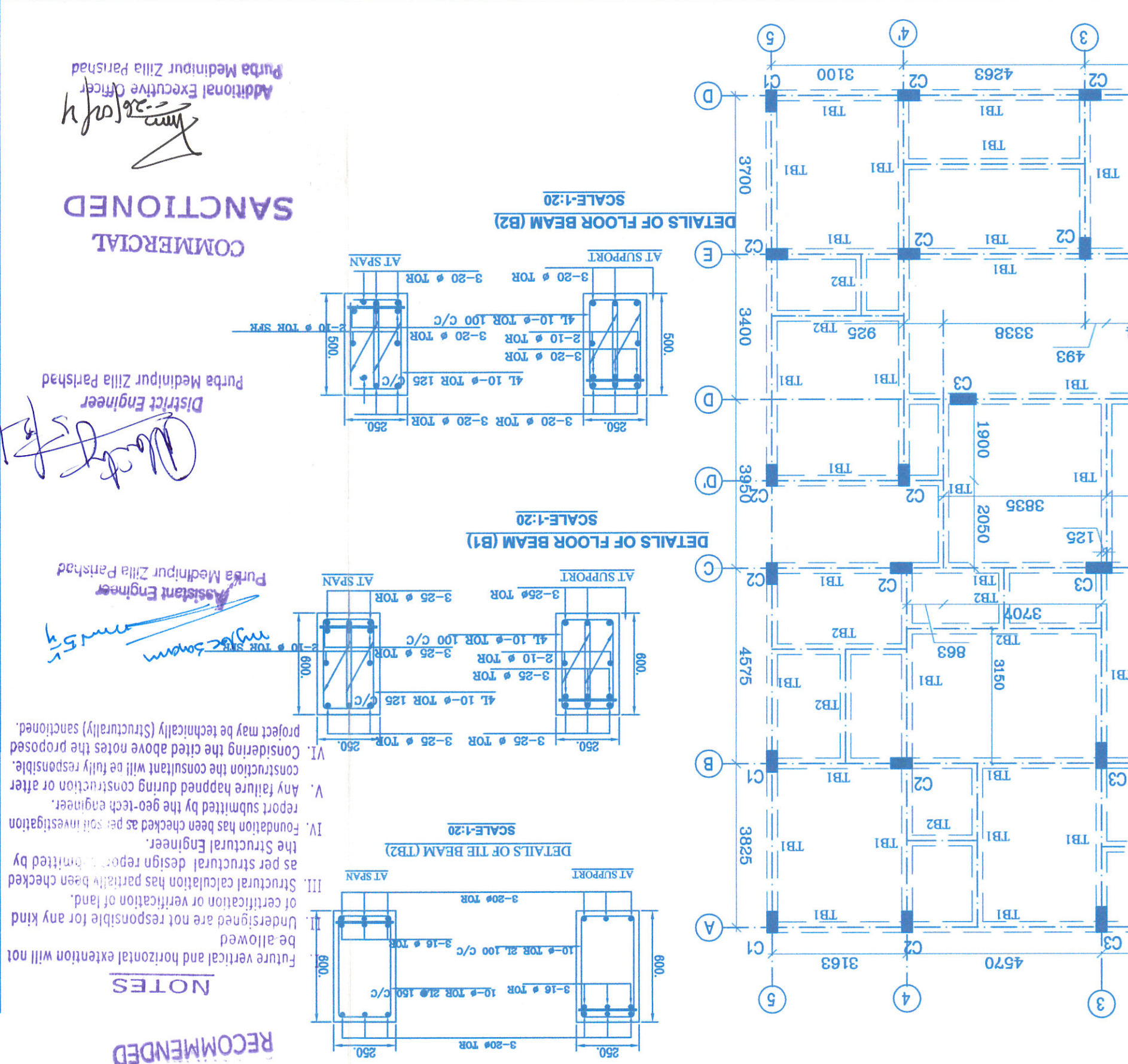
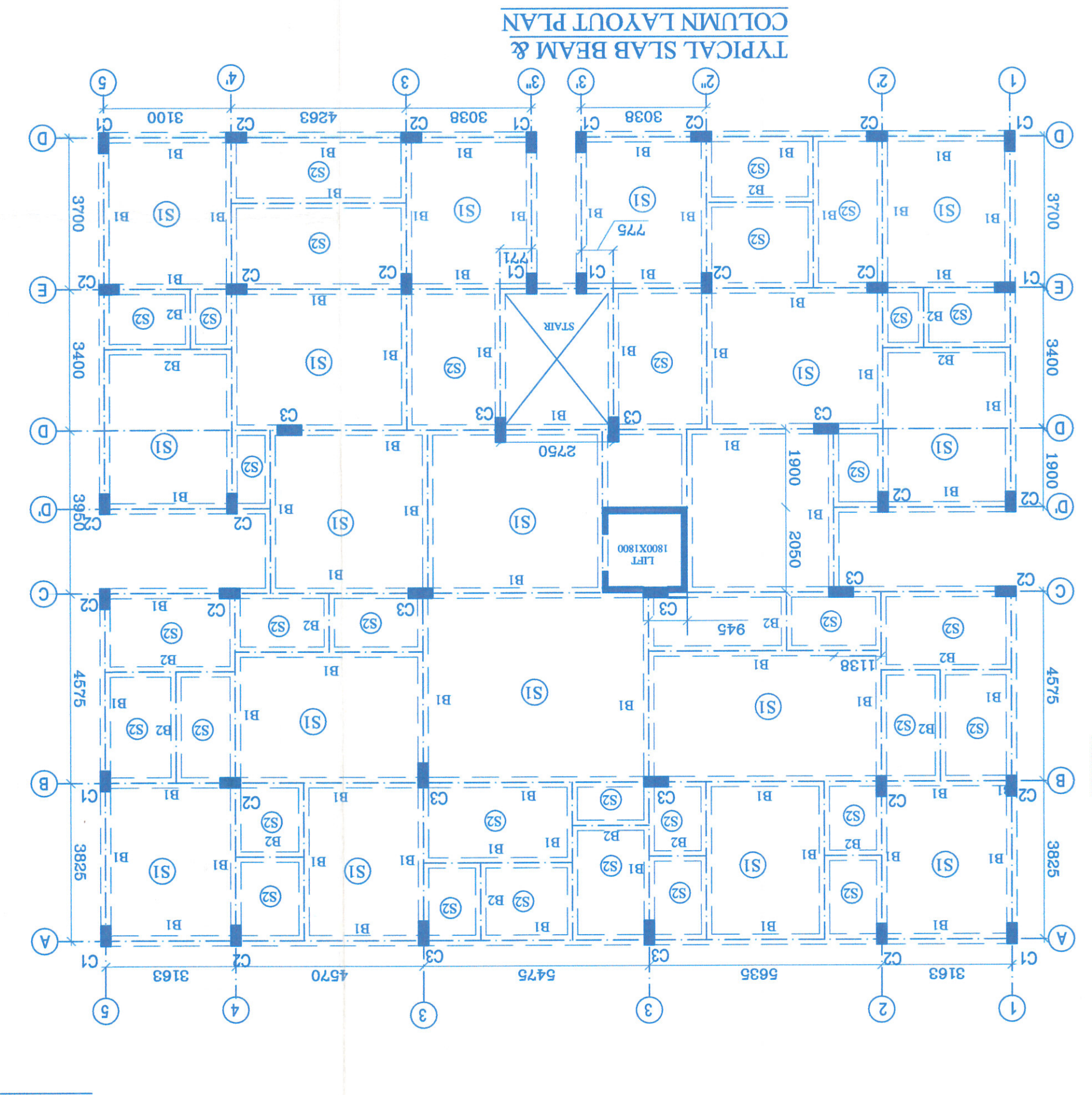
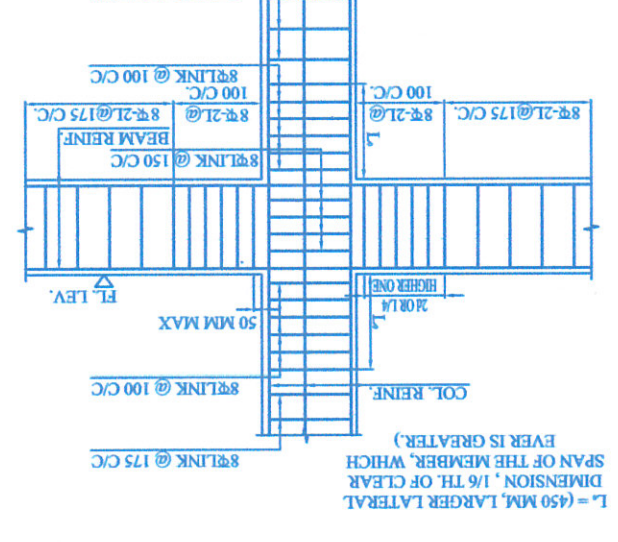


DESIGN DETAILS

SAFE VERTICAL LOAD CAPACITY	PILE	SAFE VERTICAL LOAD CAPACITY
67 TON	500 X 36 M. DEPTH	49 TON
	600 X 38 M. DEPTH	67 TON

SCHEDULE OF SLAB

SLAB	MARK.	THICK.	REINFORCEMENT
SL1	130	130	10@12.1@190CC
SL2	130	130	10@12.1@190CC



NOTES:-

- ALL DIMENSIONS ARE IN MILLIMETERS.
- ONLY WRITTEN DIMENSIONS ARE TO BE FOLLOWED.
- RAVON CHAIR LISTS IS AS PER IS: 4000 PART 1 & 2.
- CONCRETE GRADE TO BE M20.
- REINFORCEMENT SHOULD BE GENERALLY 10MM.
- AS PER STRUCTURAL DESIGN REPORT.
- FOUNDATION HAS BEEN CHECKED AS PER INVESTIGATION REPORT SUBMITTED BY THE GEOTECH ENGINEER.
- ANY FAILURE HAPPENED DURING CONSTRUCTION OR AFTER ARCHITECTURAL DRAWING.
- READ THE DRAWING IN CONNECTION WITH RELEVANT ARCHITECTURAL DRAWING.
- IN ALL SORTS OF PRECAUTIONARY MEASURES.
- THIS IS TO CERTIFY THAT THE BUILDING PLAN HAS BEEN DRAWN UP WITH FULL RESPONSIBILITY AS PER PROVISIONS OF BUILDING ACT & NOT A TANK OR TANK FILLED LAND.
- CONSTRUCTION OF THE BUILDING SHALL BE IN ACCORDANCE WITH THE PLAN & THAT IT IS A BUILDABLE SITE & NOT A TANK OR TANK FILLED LAND.

RECOMMENDED

NOTES

Additional Excavator Office
Pune Medinipur Zilla Parishad
District Engineer
Pune Medinipur Zilla Parishad
Assistant Engineer
Pune Medinipur Zilla Parishad

COMMERCIAL SANCTIONED

Signature of Director
Sanjay S. S. S.
Sanjay S. S. S.
Sanjay S. S. S.

PROJECT:- Proposed Building Plan for construction of 1st - 4th floor building, Pune Medinipur Zilla Parishad, Pune. (Civil Standard of 1500mm x 1500mm)

DATE:- 15/05/2024

SCALE:- 1:100

CLIENT:- Mr. Sanjay S. S. S.

ADDRESS:- Plot No. 123, Pune Medinipur Zilla Parishad, Pune.

DESIGNER:- Mr. Sanjay S. S. S.

CONTACT:- 9876543210

REVISIONS:

NO.	DESCRIPTION
1	Initial Design
2	Revised Design

APPROVALS:

Sanjay S. S. S. (Director)

Sanjay S. S. S. (District Engineer)

Sanjay S. S. S. (Assistant Engineer)

DATE OF SANCTIONING: 15/05/2024

SCALE: 1:100

PROJECT NO.: 123456789

CLIENT NO.: 987654321

DESIGNER NO.: 109876543

CONTACT NO.: 9876543210

ADDRESS: Plot No. 123, Pune Medinipur Zilla Parishad, Pune.

REVISIONS:

NO.	DESCRIPTION
1	Initial Design
2	Revised Design

APPROVALS:

Sanjay S. S. S. (Director)

Sanjay S. S. S. (District Engineer)

Sanjay S. S. S. (Assistant Engineer)

DATE OF SANCTIONING: 15/05/2024

SCALE: 1:100

PROJECT NO.: 123456789

CLIENT NO.: 987654321

DESIGNER NO.: 109876543

CONTACT NO.: 9876543210

ADDRESS: Plot No. 123, Pune Medinipur Zilla Parishad, Pune.

REVISIONS:

NO.	DESCRIPTION
1	Initial Design
2	Revised Design

APPROVALS:

Sanjay S. S. S. (Director)

Sanjay S. S. S. (District Engineer)

Sanjay S. S. S. (Assistant Engineer)

DATE OF SANCTIONING: 15/05/2024

SCALE: 1:100

PROJECT NO.: 123456789

CLIENT NO.: 987654321

DESIGNER NO.: 109876543

CONTACT NO.: 9876543210

ADDRESS: Plot No. 123, Pune Medinipur Zilla Parishad, Pune.

REVISIONS:

NO.	DESCRIPTION
1	Initial Design
2	Revised Design

APPROVALS:

Sanjay S. S. S. (Director)

Sanjay S. S. S. (District Engineer)

Sanjay S. S. S. (Assistant Engineer)

DATE OF SANCTIONING: 15/05/2024

SCALE: 1:100

PROJECT NO.: 123456789

CLIENT NO.: 987654321

DESIGNER NO.: 109876543

CONTACT NO.: 9876543210

ADDRESS: Plot No. 123, Pune Medinipur Zilla Parishad, Pune.

REVISIONS:

NO.	DESCRIPTION
1	Initial Design
2	Revised Design

APPROVALS:

Sanjay S. S. S. (Director)

Sanjay S. S. S. (District Engineer)

Sanjay S. S. S. (Assistant Engineer)

DATE OF SANCTIONING: 15/05/2024

SCALE: 1:100

PROJECT NO.: 123456789

CLIENT NO.: 987654321

DESIGNER NO.: 109876543

CONTACT NO.: 9876543210

ADDRESS: Plot No. 123, Pune Medinipur Zilla Parishad, Pune.

REVISIONS:

NO.	DESCRIPTION
1	Initial Design
2	Revised Design

APPROVALS:

Sanjay S. S. S. (Director)

Sanjay S. S. S. (District Engineer)

Sanjay S. S. S. (Assistant Engineer)

DATE OF SANCTIONING: 15/05/2024

SCALE: 1:100

PROJECT NO.: 123456789

CLIENT NO.: 987654321

DESIGNER NO.: 109876543

CONTACT NO.: 9876543210

ADDRESS: Plot No. 123, Pune Medinipur Zilla Parishad, Pune.

REVISIONS:

NO.	DESCRIPTION
1	Initial Design
2	Revised Design

APPROVALS:

Sanjay S. S. S. (Director)

Sanjay S. S. S. (District Engineer)

Sanjay S. S. S. (Assistant Engineer)

DATE OF SANCTIONING: 15/05/2024

SCALE: 1:100

PROJECT NO.: 123456789

CLIENT NO.: 987654321

DESIGNER NO.: 109876543

CONTACT NO.: 9876543210

ADDRESS: Plot No. 123, Pune Medinipur Zilla Parishad, Pune.

REVISIONS:

NO.	DESCRIPTION
1	Initial Design
2	Revised Design

APPROVALS:

Sanjay S. S. S. (Director)

Sanjay S. S. S. (District Engineer)

Sanjay S. S. S. (Assistant Engineer)

DATE OF SANCTIONING: 15/05/2024

SCALE: 1:100

PROJECT NO.: 123456789

CLIENT NO.: 987654321

DESIGNER NO.: 109876543

CONTACT NO.: 9876543210

ADDRESS: Plot No. 123, Pune Medinipur Zilla Parishad, Pune.

REVISIONS:

NO.	DESCRIPTION
1	Initial Design
2	Revised Design

APPROVALS:

Sanjay S. S. S. (Director)

Sanjay S. S. S. (District Engineer)

Sanjay S. S. S. (Assistant Engineer)

DATE OF SANCTIONING: 15/05/2024

SCALE: 1:100

PROJECT NO.: 123456789

CLIENT NO.: 987654321

DESIGNER NO.: 109876543

CONTACT NO.: 9876543210

ADDRESS: Plot No. 123, Pune Medinipur Zilla Parishad, Pune.

REVISIONS:

NO.	DESCRIPTION
1	Initial Design
2	Revised Design

APPROVALS:

Sanjay S. S. S. (Director)

Sanjay S. S. S. (District Engineer)

Sanjay S. S. S. (Assistant Engineer)

DATE OF SANCTIONING: 15/05/2024

SCALE: 1:100

PROJECT NO.: 123456789

CLIENT NO.: 987654321

DESIGNER NO.: 109876543

CONTACT NO.: 9876543210

ADDRESS: Plot No. 123, Pune Medinipur Zilla Parishad, Pune.

REVISIONS:

NO.	DESCRIPTION
1	Initial Design
2	Revised Design

APPROVALS:

Sanjay S. S. S. (Director)

Sanjay S. S. S. (District Engineer)

Sanjay S. S. S. (Assistant Engineer)

DATE OF SANCTIONING: 15/05/2024

SCALE: 1:100

PROJECT NO.: 123456789

CLIENT NO.: 987654321

DESIGNER NO.: 109876543

CONTACT NO.: 9876543210

ADDRESS: Plot No. 123, Pune Medinipur Zilla Parishad, Pune.

REVISIONS:

NO.	DESCRIPTION
1	Initial Design
2	Revised Design

APPROVALS:

Sanjay S. S. S. (Director)

Sanjay S. S. S. (District Engineer)

Sanjay S. S. S. (Assistant Engineer)

DATE OF SANCTIONING: 15/05/2024

SCALE: 1:100

PROJECT NO.: 123456789

CLIENT NO.: 987654321

DESIGNER NO.: 109876543

CONTACT NO.: 9876543210

ADDRESS: Plot No. 123, Pune Medinipur Zilla Parishad, Pune.

REVISIONS:

NO.	DESCRIPTION
1	Initial Design
2	Revised Design

APPROVALS:

Sanjay S. S. S. (Director)

Sanjay S. S. S. (District Engineer)

Sanjay S. S. S. (Assistant Engineer)

DATE OF SANCTIONING: 15/05/2024

SCALE: 1:100

PROJECT NO.: 123456789

CLIENT NO.: 987654321

DESIGNER NO.: 109876543

CONTACT NO.: 9876543210

ADDRESS: Plot No. 123, Pune Medinipur Zilla Parishad, Pune.

REVISIONS:

NO.	DESCRIPTION
1	Initial Design
2	Revised Design

APPROVALS:

Sanjay S. S. S. (Director)

Sanjay S. S. S. (District Engineer)

Sanjay S. S. S. (Assistant Engineer)

DATE OF SANCTIONING: 15/05/2024

SCALE: 1:100

PROJECT NO.: 123456789

CLIENT NO.: 987654321

DESIGNER NO.: 109876543

CONTACT NO.: 9876543210

ADDRESS: Plot No. 123, Pune Medinipur Zilla Parishad, Pune.

REVISIONS:

NO.	DESCRIPTION
1	Initial Design
2	Revised Design

APPROVALS:

Sanjay S. S. S. (Director)

Sanjay S. S. S. (District Engineer)

Sanjay S. S. S. (Assistant Engineer)

DATE OF SANCTIONING: 15/05/2024

SCALE: 1:100

PROJECT